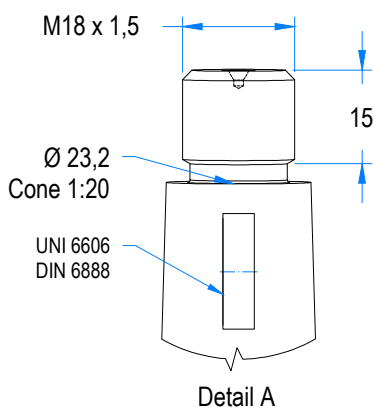
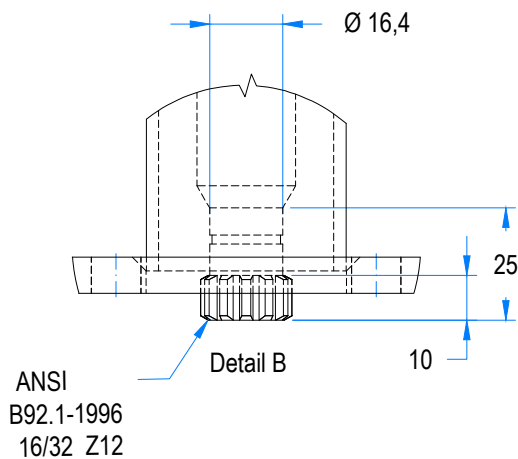


A-A Section



Detail A



## Features

- Tilt travel toward driver: 30°
- Tilt travel toward windscreen: 10°
- Steering Wheel options are on available
- Lower and higher tube length are on demand
- Serration and flange options are on demand
- Dimensions and specifications are subject to change without prior notice