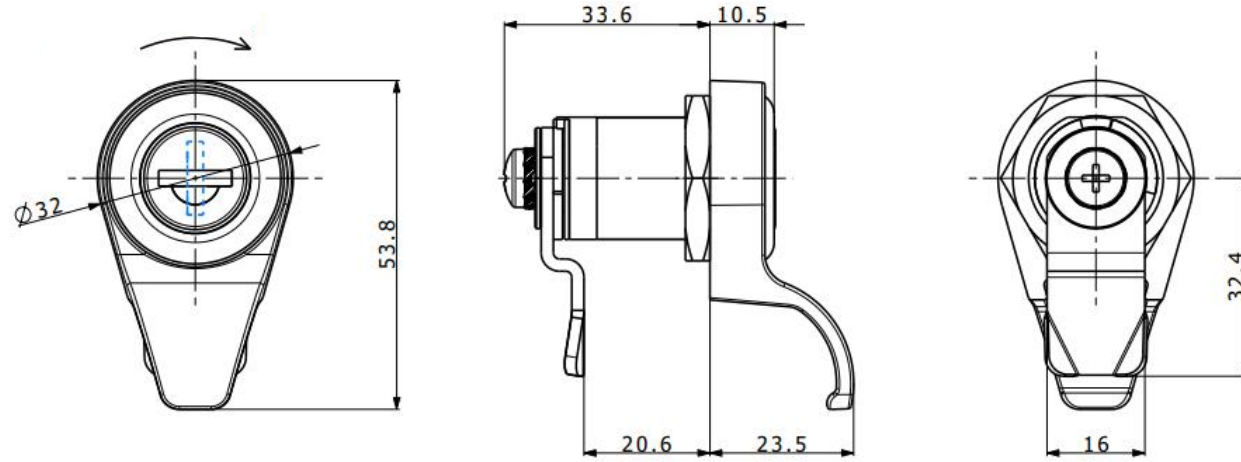
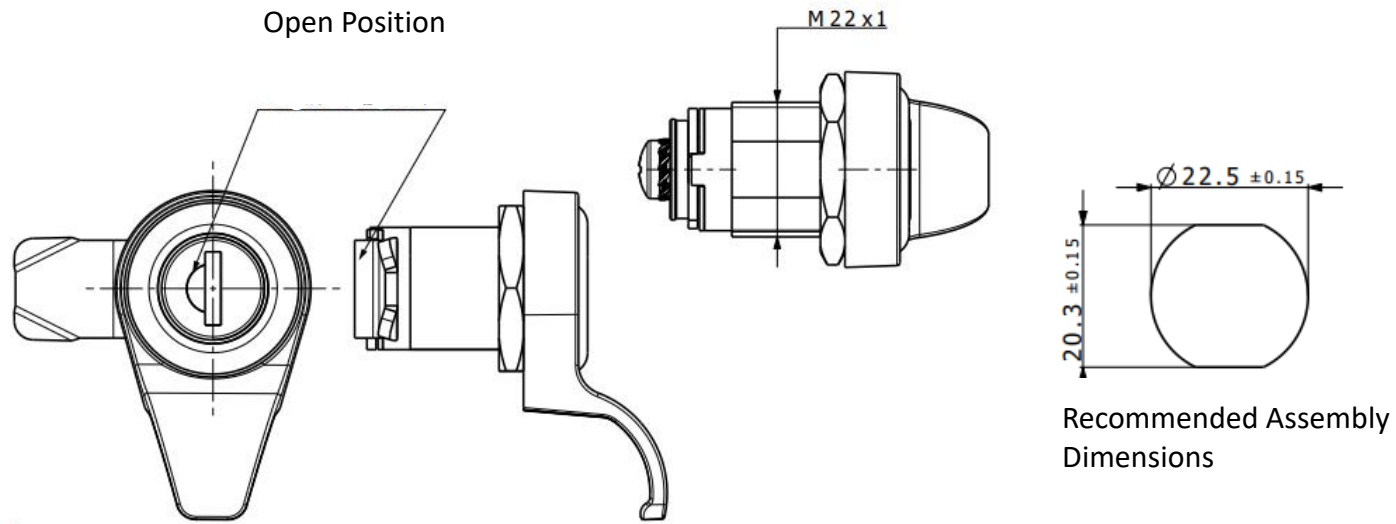


Unlock Direction



Open Position



Recommended Assembly Dimensions